

How to fit? Roller Blinds (cassette header)

You will need: • A drill with correct bit • A crossheaded screwdriver • A metal tape measure • A pencil

Your brackets are packed separately in the box. Please ensure you've located them before disposing of the packaging.

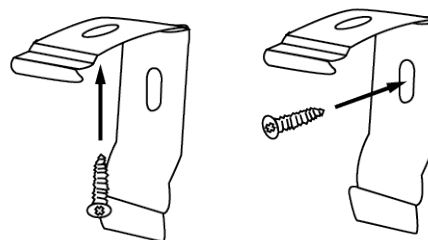
The brackets are a universal type that can be used to top fix the blind into a recess or face fix into a frame or a wall.

Please read the following instructions carefully before you start fitting your blind.

1. Preparation

- The screws we have provided are for wood use only. If you are fitting into a wall or lintel, you will require different screws and rawl plugs.
- Decide how the brackets will be fitted. Options are: Top fix or face fix as shown in Fig. 1 (Top fix is typically used for ceiling and lintel recess fitting. Face fix is commonly used for wall or window frame fitting).
- Using a pencil mark where the brackets are to be fixed. We recommend approximately 700mm in from each side. Avoid fitting them over the control chain. Larger blinds will need all the brackets supplied to be used evenly across the width of the head rail. Fig. 2.

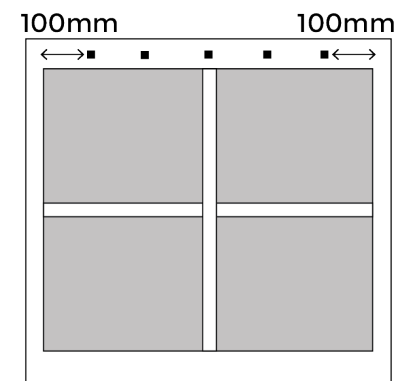
Fig. 1



Top-fix

Face-fix

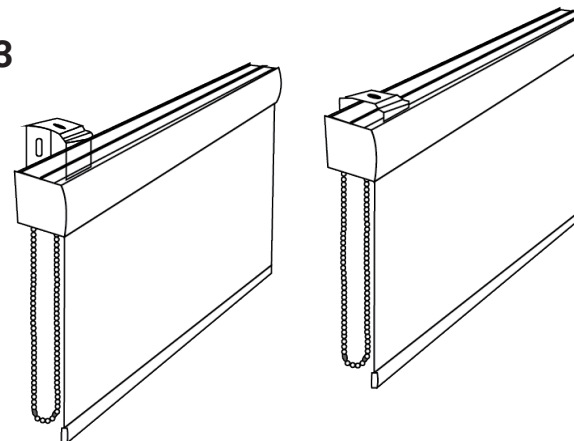
Fig. 2



2. Fix the blinds

- Fix the brackets into position with the correct fixing type.
- Hook the front ridge of the cassette into the front of the top bracket. See Fig. 3.
- Push the cassette up until the back ridge slides in and clips to the back of the top bracket.
- The cassette should click into place. Repeat until all brackets have been secured onto the cassette.

Fig. 3



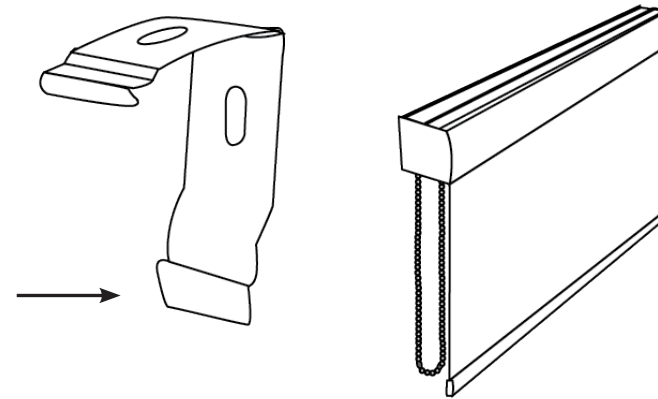
Operating your blind:

- Pull the chain to raise and lower the blind. Ensure you do not continue pulling the chain once the blind is fully retracted as this will damage the blind.

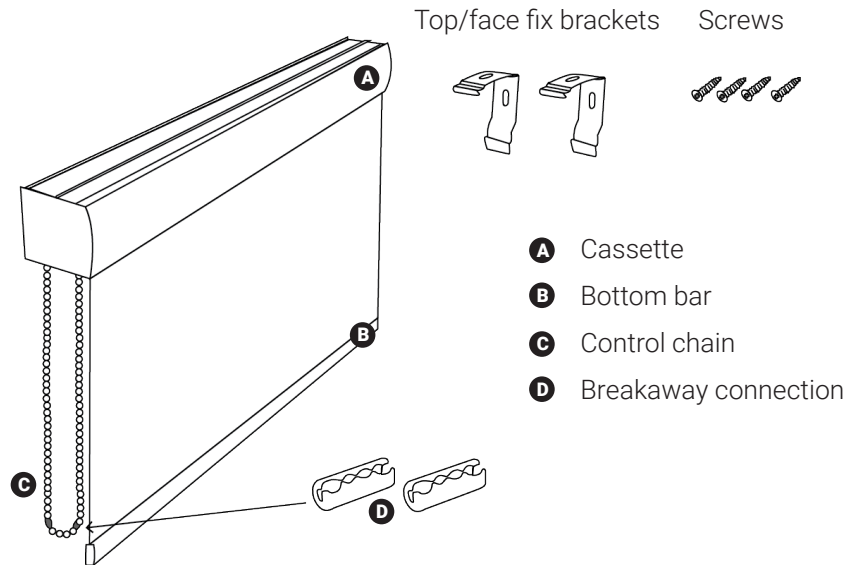
How to remove the blind for cleaning

- If you need to remove the blind from the brackets, press the release tab at the bottom of each bracket and tilt the headrail backwards. See Fig. 4.

Fig. 4

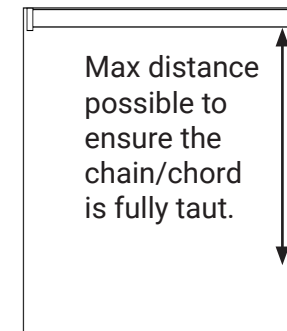


Parts identified

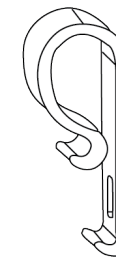


Safety advice

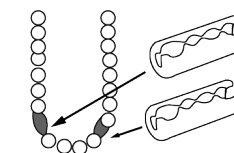
- Depending on the size of blind you've ordered, we'll either send you a blind with two breakaway chain connectors attached or we'll supply a child safety device.
- The breakaway chain connectors will pop apart if any weight is applied to the chain. If a child safety device is provided, ensure this is added to the chain and securely fixed to the wall at the maximum distance (making the chain fully taut).



Max distance possible to ensure the chain/chord is fully taut.



Fixed chain tensioning system



Breakaway chain connectors

Got a question that we haven't already answered?
Get in touch with us by sending an email to sales@weloveblinds.com
or call us on **0800 009 2959** and we'll be happy to help!

Warning

- Blinds can be potentially dangerous to small children. Please be aware that swallowing small parts can cause internal asphyxiation. Looped or low hanging cords, chains or tapes can create hazardous loops which could lead to the risk of strangulation. We do everything we can to ensure your chosen product is child safe. As a minimum all of our blinds meet the European Standard BS EN 13120 for safety. Our instructions and the supplied Child Safety device(s) are intended for you to ensure that your blind is as safe as possible.
- The information below gives guidance for fitting the provided child safety devices. All safety devices must be correctly installed for the protection from strangulation of young children and the proper use of the blind. Please read the instructions carefully and keep safe for future reference.
- Only use the devices and cords provided with your blind. Videos showing how to fit and reconnect child safety devices are available, along with replacements at: www.makeitchildsafe.co.uk.



Got a question that we haven't already answered?
Get in touch with us by sending an email to sales@weloveblinds.com
or call us on **0800 009 2959** and we'll be happy to help!

